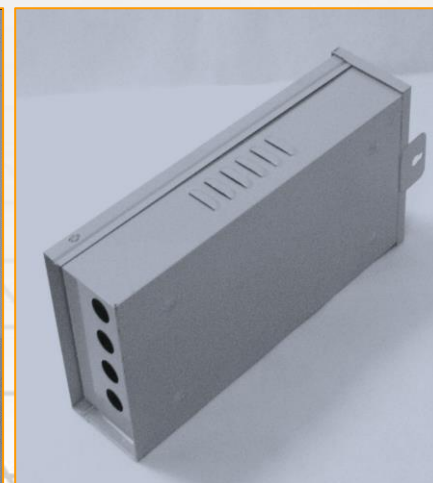
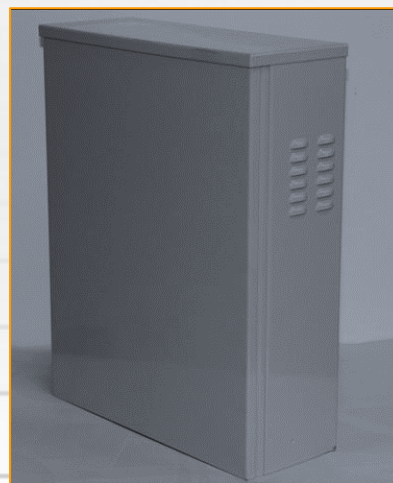
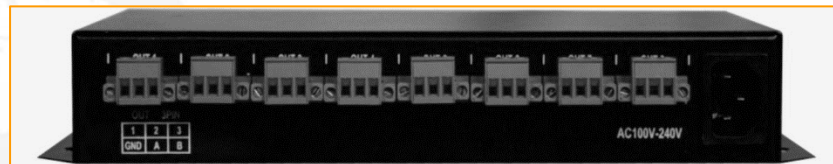




酷睿创显  
Creative Media

# CM-SC-A2 Specification-V2.0





# CM-SC-A2

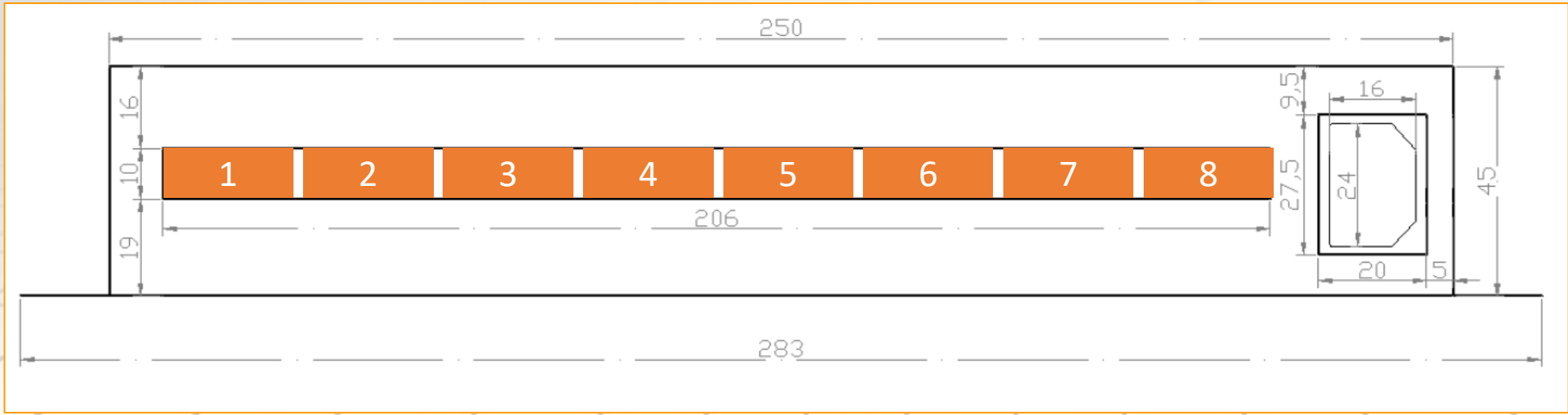
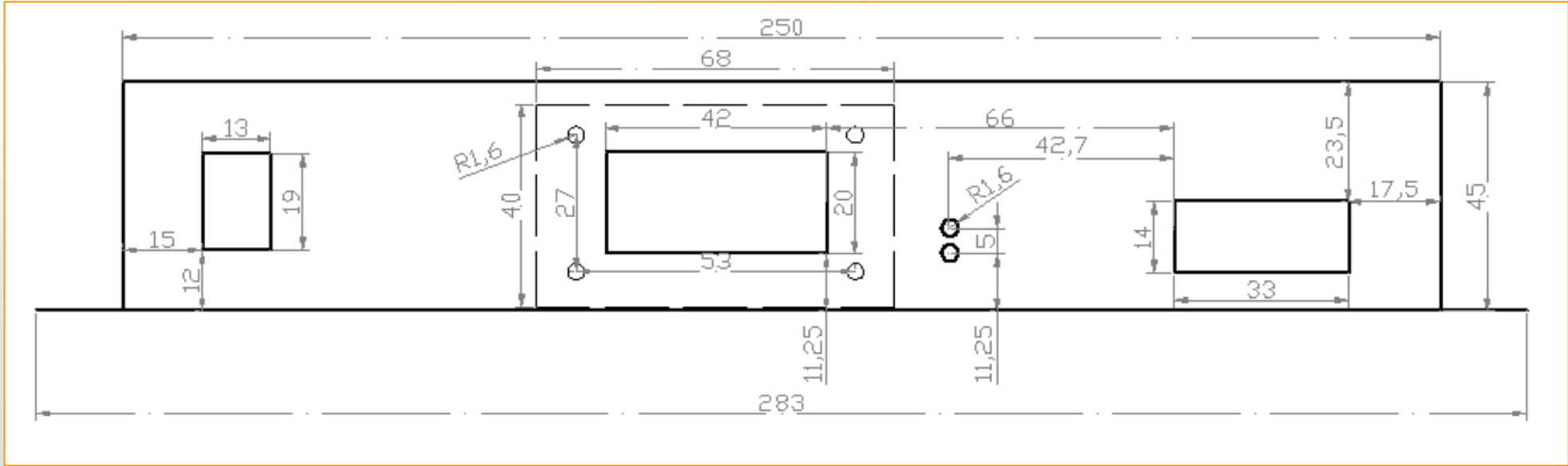
## Base specification

Model	CM-SC-A2
Control mode	SPI
Gray level	65536
Material	High quality electrolytic galvanized plate dusting
Life span	50,000 hours
weight	2.9kg
Working Temperature	-20°C to 50°C
Storage Temperature	-40°C to 70°C
Input	AC110V-220V
Max. Power Consumption	5W
Protection rat	IP65
Base color	Black / Gray(customization color)
Data cable	Cat-5 / Cat-6
Out-ports	8
support	All CM façade lighting series and main-controller series



# CM-SC-A2

Physical Dimension





# CM-SC-A2

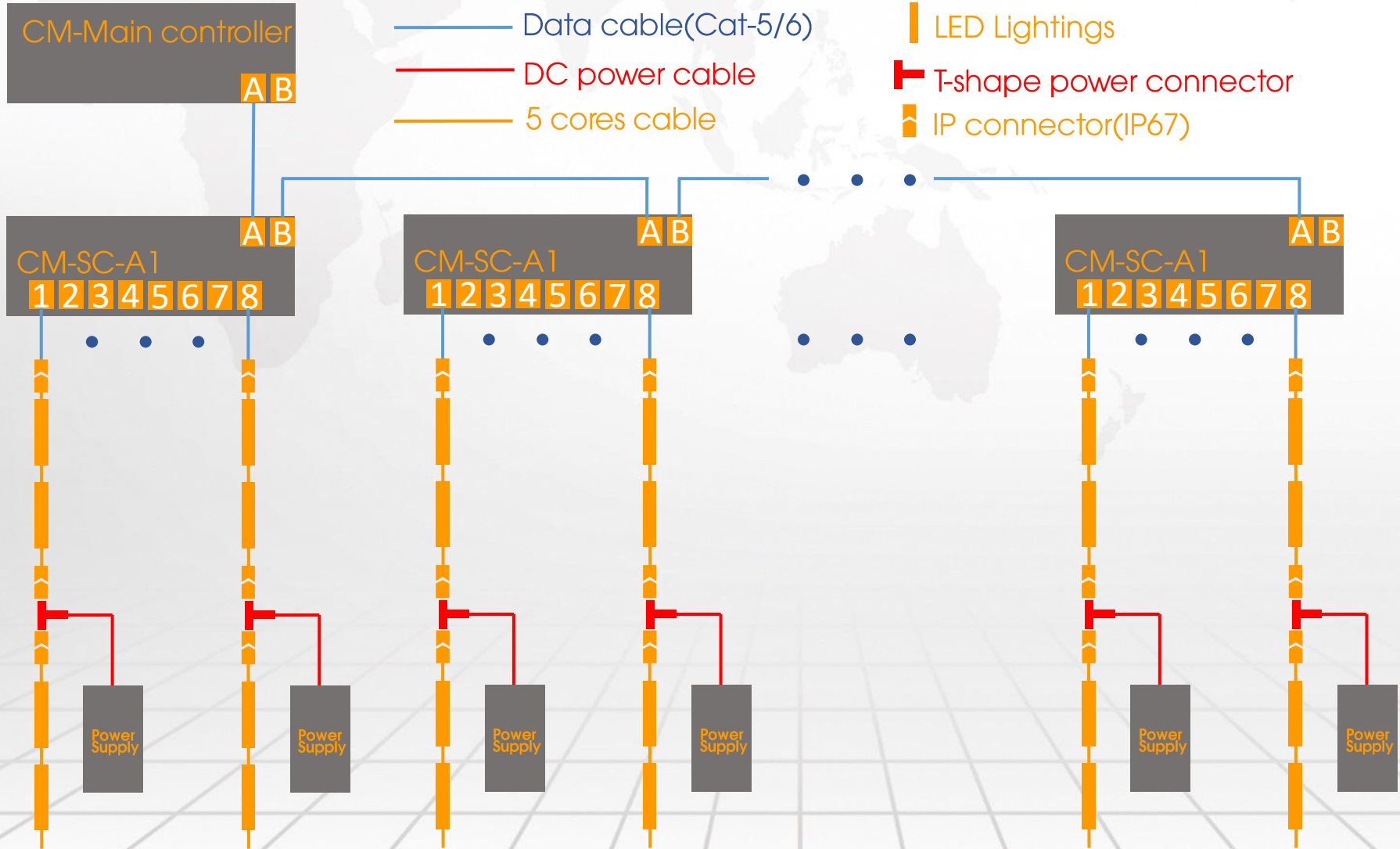
## Product features

- ◆ **Strong support**  
8 out ports, each ports can support 400pixels.
- ◆ **Long distance transmission**  
The distance between lighting fixtures and sub controller can be maximum200m.
- ◆ **High gray level**  
Support 65536 level grey scale.
- ◆ **High refresh frequency**  
Support refresh frequency: 20kHz maximum.
- ◆ **Compatible with multiple control ICs**  
Compatible with the control IC of most LED lighting lamps in the market, standard mode is SPI.



# CM-SC-A2

## Control system diagram





酷 睿 创 显  
Creative Media

We control the light, and the light serves you!