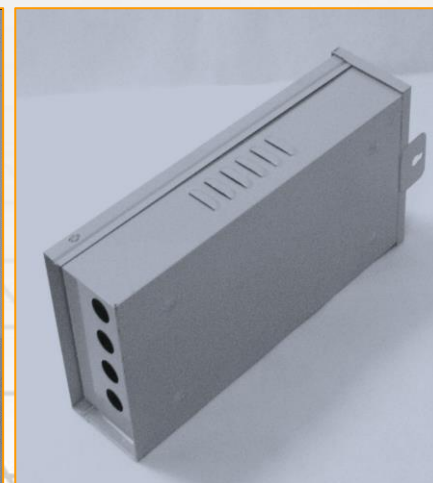
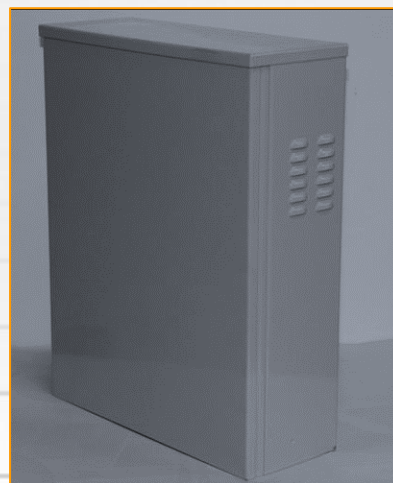
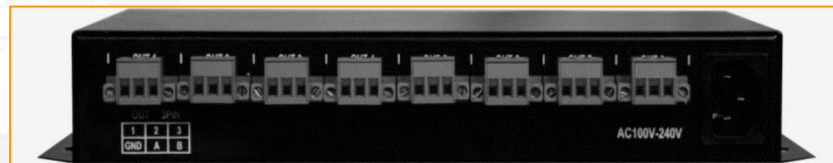




酷睿创显
Creative Media

CM-SC-A1 Specification-V3.0





CM-SC-A1

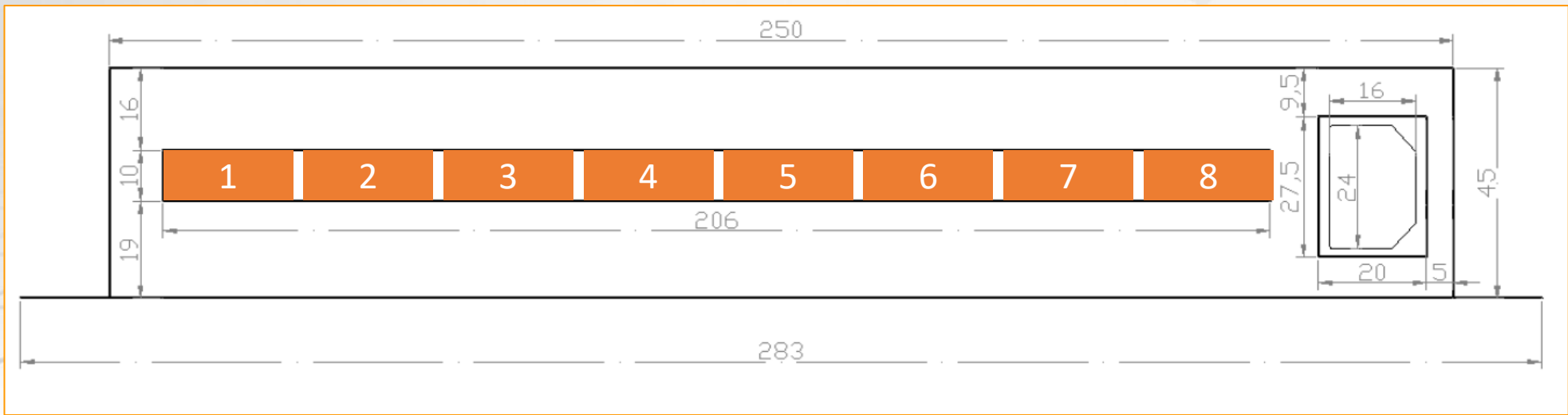
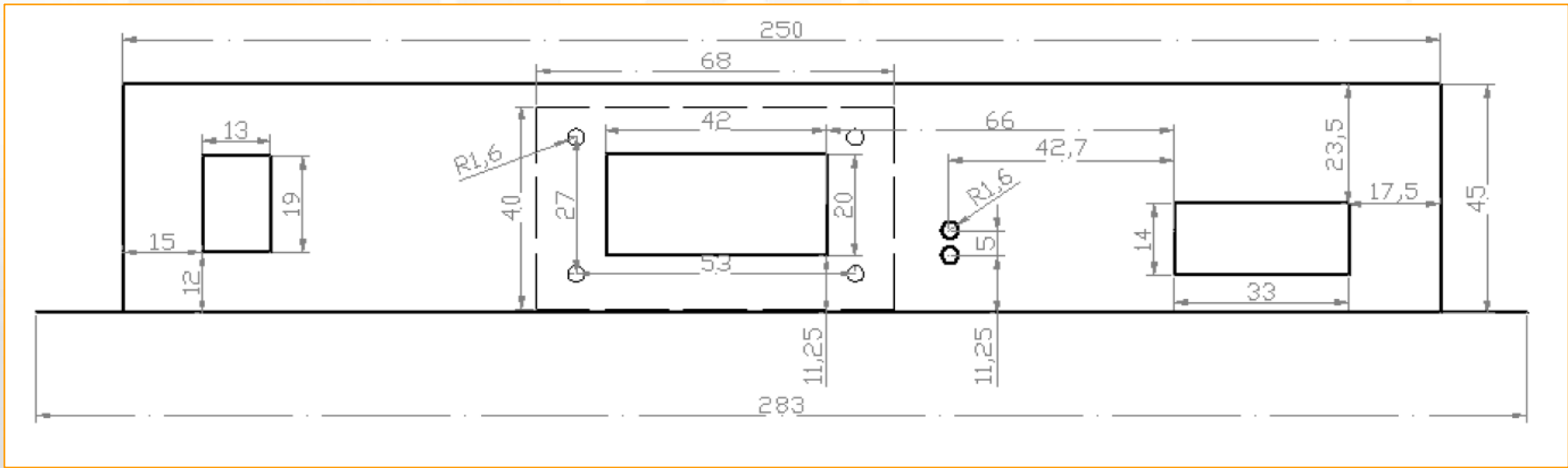
Base specification

Model	CM-SC-A1
Control mode	DMX512
Gray level	65536
Material	High quality electrolytic galvanized plate dusting
Life span	50,000 hours
weight	2.9kg
Working Temperature	-15°C to 60°C
Storage Temperature	-40°C to 70°C
Humidity	≤ 50% RH
Input	AC110V-220V
Max. Power Consumption	5W
Protection rat	IP65
Base color	Black / Gray(customization color)
Data cable	Cat-5 / Cat-6
Connection Mode	Parallel (manual address setting)
Out-ports	8
In put	Connects directly to PC / SN Controller / EN Controller
Output	Connects to EN Controller
support	All CM façade lighting series and main-controller series



CM-SC-A1

Physical Dimension





CM-SC-A1

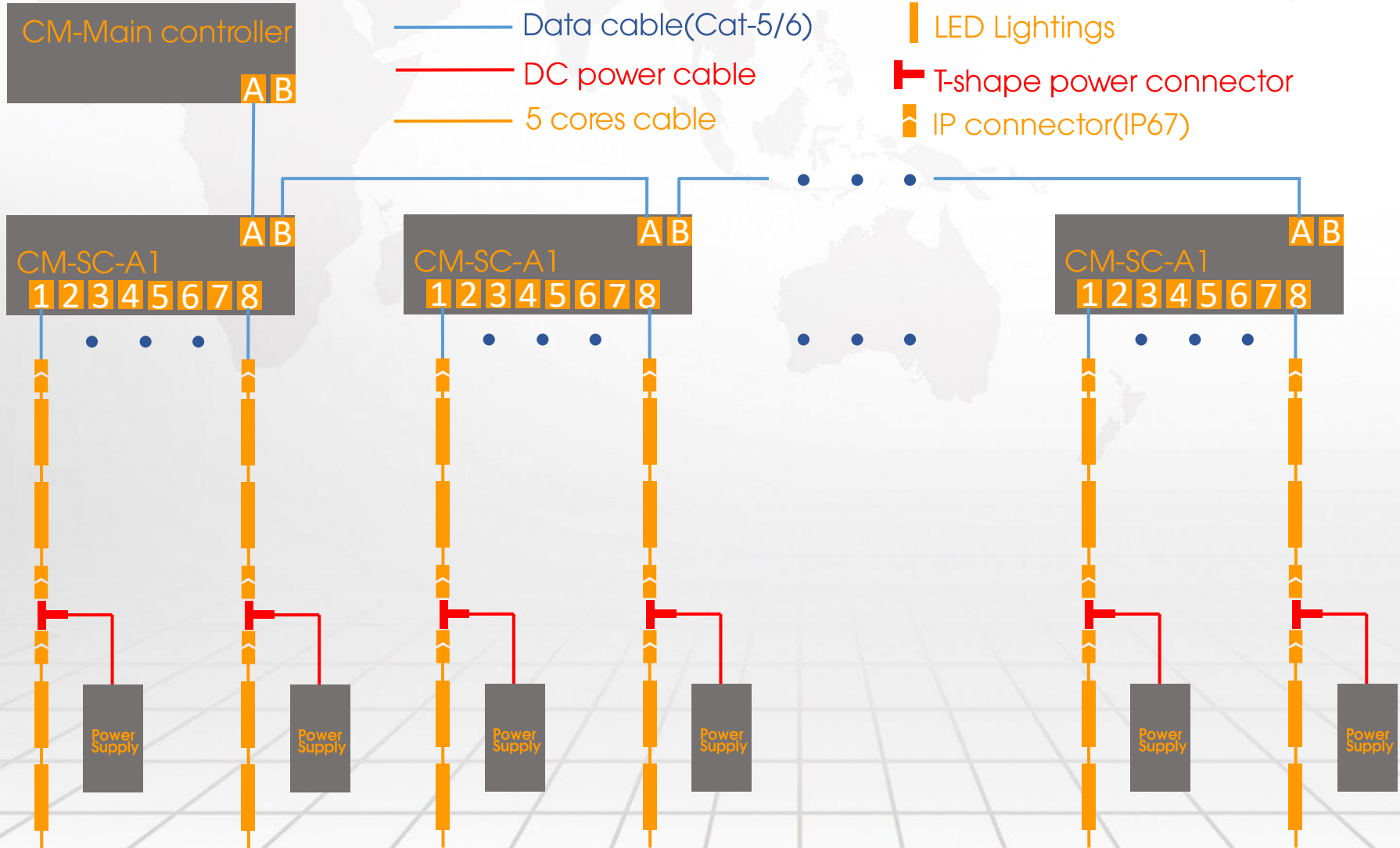
Product features

- ◆ **Strong support**
8 out ports, each ports can support 2048 channels.
- ◆ **Long distance transmission**
The distance between lighting fixtures and sub controller can be maximum 200m.
- ◆ **High gray level**
Support 65536 level grey scale.
- ◆ **High refresh frequency**
Support refresh frequency: 20kHz maximum.
- ◆ **Compatible with multiple control ICs**
Compatible with the control IC of most LED lighting lamps in the market, standard mode is DMX512.



CM-SC-A1

Control system diagram





酷睿创显
Creative Media

We control the light, and the light serves you!