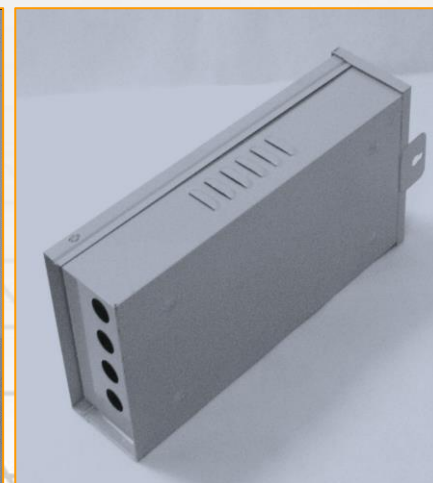
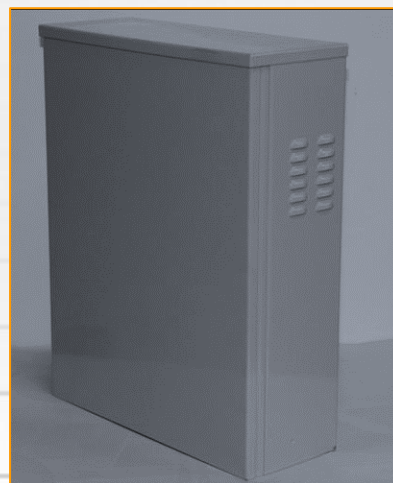
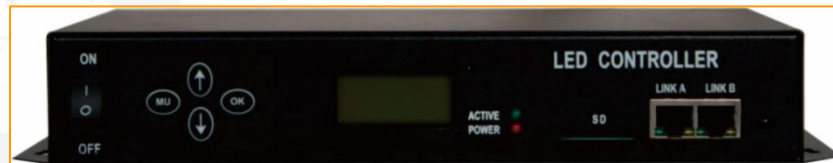




酷睿创显  
Creative Media

# CM-MC-A1 Specification-V3.0





# CM-MC-A1

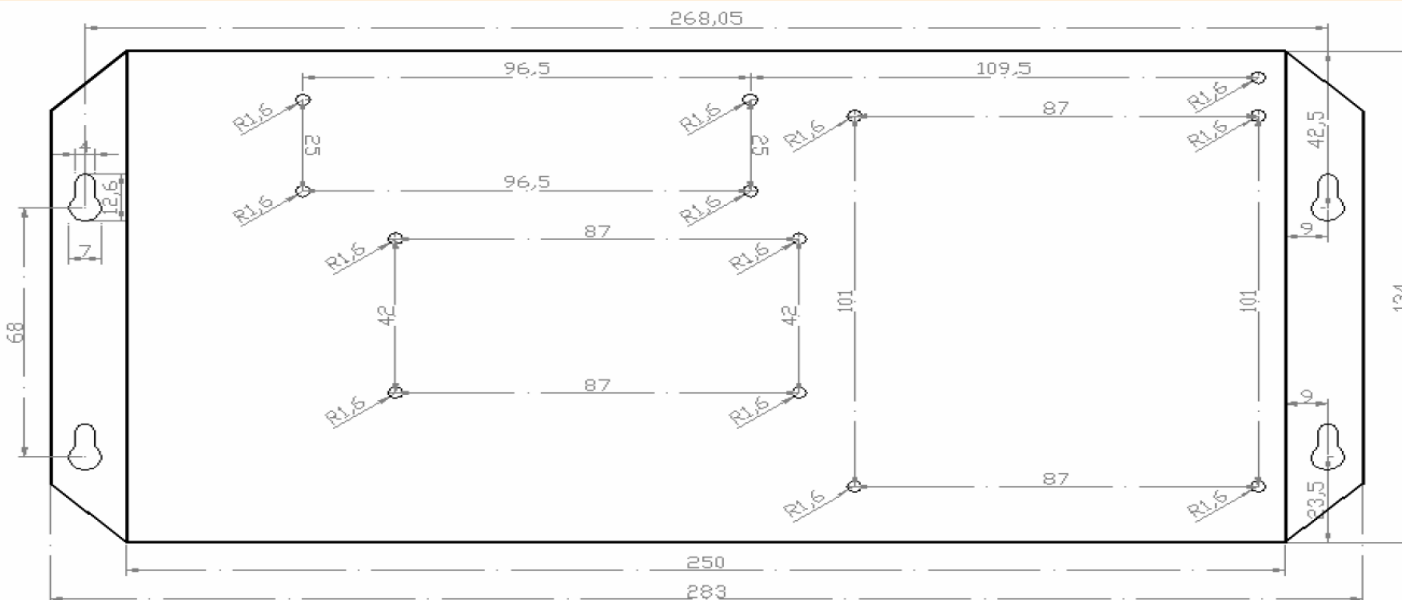
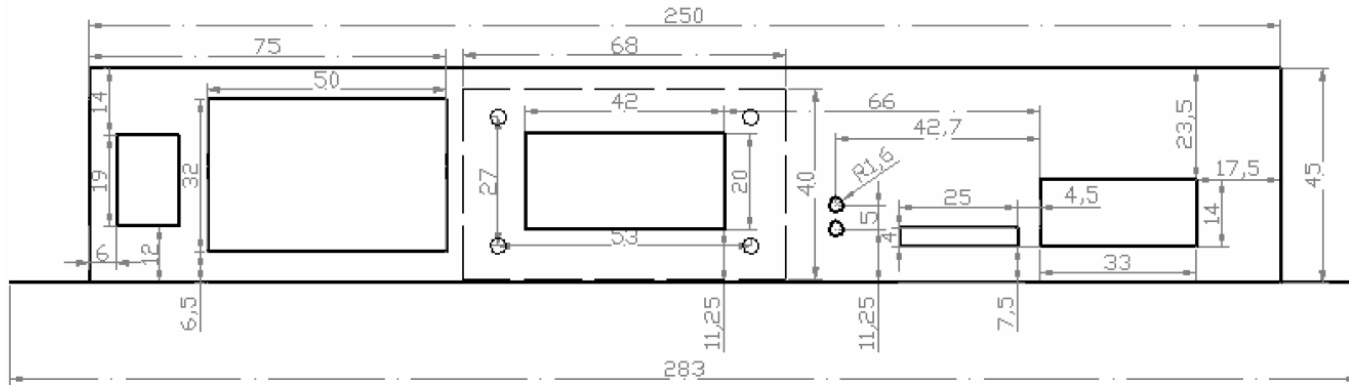
## Base specification

Model	CM-MC-A1
Control mode	DMX512
Gray level	65536
Control Capacity	400,000 channels
Material	High quality electrolytic galvanized plate dusting
Life span	50,000 hours
Storage	SD card ( 32G , 99 programs)
Control output	0-154 Sub-controllers (recommended to exceed 80 units)
weight	2.7kg
Working Temperature	-20°C to 60°C
Storage Temperature	-20°C to 70°C
Humidity	≤ 50% RH
Input	AC100V-240V
Max. Power Consumption	5W
Protection rat	IP20
Base color	Black / Gray(customization color)
Data cable	Cat-5 / Cat-6
-Transmission Distance	Up to 100 meters using UTP network cable For distances over 100 meters, use a signal amplifier For long-distance transmission (up to 5 km), use a fiber optic converter
support	All CM façade lighting series and sub-controller series



# CM-MC-A1

Physical Dimension





# CM-MC-A1

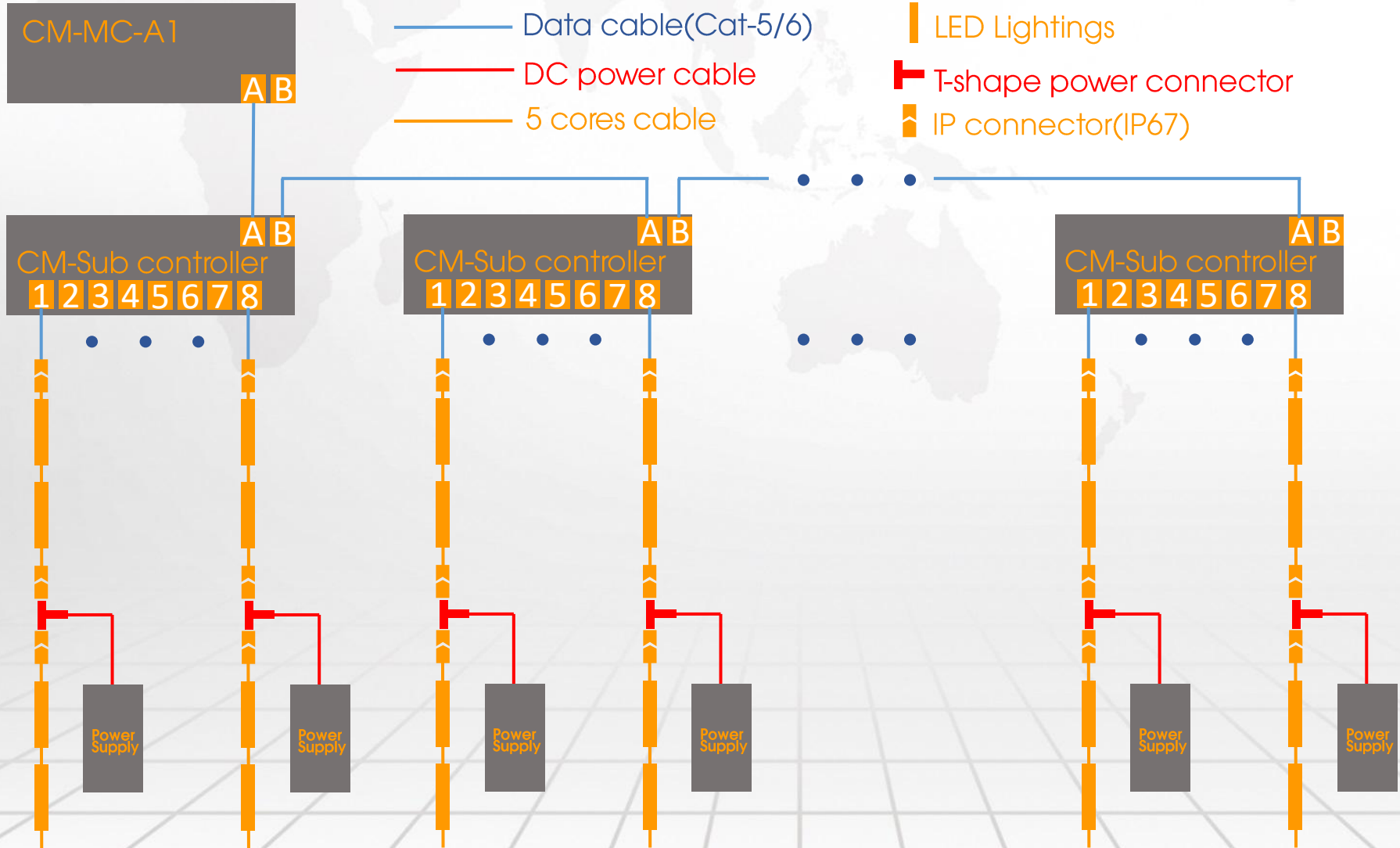
## Product features

- ◆ **Strong support**  
Maximum supported lighting pixels: 50,000.
- ◆ **Convenient broadcast and control**  
Support MMC memory card/SD card to change lighting effect.
- ◆ **High gray level**  
Support 65536 level grey scale.
- ◆ **High refresh frequency**  
Support refresh frequency: 20kHz maximum.
- ◆ **Compatible with multiple control ICs**  
Compatible with the control IC of most LED lighting lamps in the market, standard mode is DMX512.



# CM-MC-A1

## Control system diagram





酷睿创显  
Creative Media

We control the light, and the light service you!